

# BExBG21 Explosion Proof Xenon Beacon 21 Joule

The flameproof BExBG21 21 Joule, 520 candela Xenon beacons are suitable for Zone 1, 2, 21 & 22 applications. Approved to IECEx, ATEX, Ex EAC and INMETRO standards. SIL1 compliant.

The BExBG21 21 Joule Xenon strobe beacons robust construction enables installation in the harshest of environments. The BExBG21 has three distinct user selectable flash patterns and for units with DC operating voltages a second stage flash pattern can be selected remotely. Additional features include a stainless steel guard and stainless steel mounting bracket as standard.

The explosion proof Ex d BEx range features enclosures manufactured from corrosion proof, marine grade copper free LM6 aluminium with a chromate and powder coat finish. All models have two M20 cable entries, large termination areas containing in & out terminals and an ingress

## Features

- Marine grade, corrosion proof, LM6 aluminium enclosure
- Xenon tubes mechanically secured against shock & vibration
- Dual Xenon flash tubes
- Glass lens & Stainless Steel guard
- Very large termination area.
- Dual M20 cable entries - adaptors available.
- Stopping plug included.
- Ratchet adjustable stainless steel 'U' bracket.
- Reverse polarity diode fitted.
- IP66/67 ingress protection.
- 520 candela effective light intensity.
- UV stable PC, field replaceable, colour lens filter.

## Approvals

- IECEx KEM 10.0002X
- ATEX KEMA 00ATEX2006X
- TR-CU Ex EAC certificate: RU C-GB.AA71.B.00109
- SIL 1 compliant to IEC 61508 (2010)
- INMETRO certificate: 10Ex-0010

## Coding

- II 2G Ex db IIC T3 Gb Ta. -50°C to +70°C
- II 2D Ex tb IIIC T150°C Db Ta. -50°C to +40°C
- II 2D Ex tb IIIC T165°C Db Ta. -50°C to +55°C
- II 2D Ex tb IIIC T180°C Db Ta. -50°C to +70°C



## Specification

Energy:	21 Joules
Flash rate:	1Hz, 2Hz & double strike 1Hz
Peak Candela:	2,100,000 cd – calculated from energy (J)
Effective Intensity cd:	1,050 cd – calculated from energy (J)
Peak Candela:	118,537 cd* – measured ref. to I.E.S.
Effective Intensity cd:	520 cd* – measured ref. to I.E.S.
Lens colours:	Amber, Blue, Clear, Green, Magenta, Red & Yellow
Voltages DC:	24vdc; 48vdc
Voltages AC:	115vac; 230vac
Ingress protection:	IP66/67
Enclosure matl:	Marine grade copper free LM6 Aluminium
Enclosure finish:	Chromate & powder coated finish – anti-corrosion.
Colour:	RAL3000 Red (others available on request)
Cable entries:	Dual M20 ISO (one stopping plug inc)
Terminals:	0.5 – 2.5mm <sup>2</sup> (20-14 AWG)
Enclosure volume:	<2 litres
Line monitoring:	Blocking diode included EOL Min. 500 Ohm 2w, or 3k3 Ohm 0.5w resistor or diode (DC versions) can be added
Grounding stud:	M5
Temperature range:	-50° to +70°C (-58°F to +158°F)
Relative humidity:	90% at 20°C [68°F]
Tube life:	Emissions are reduced to 70% after 5 million flashes
Weight:	DC: 2.65kg/5.83lbs AC: 2.95kg/6.49lbs
*All candela data is representative of performance with clear lens at optimum voltage.	

## Part Codes

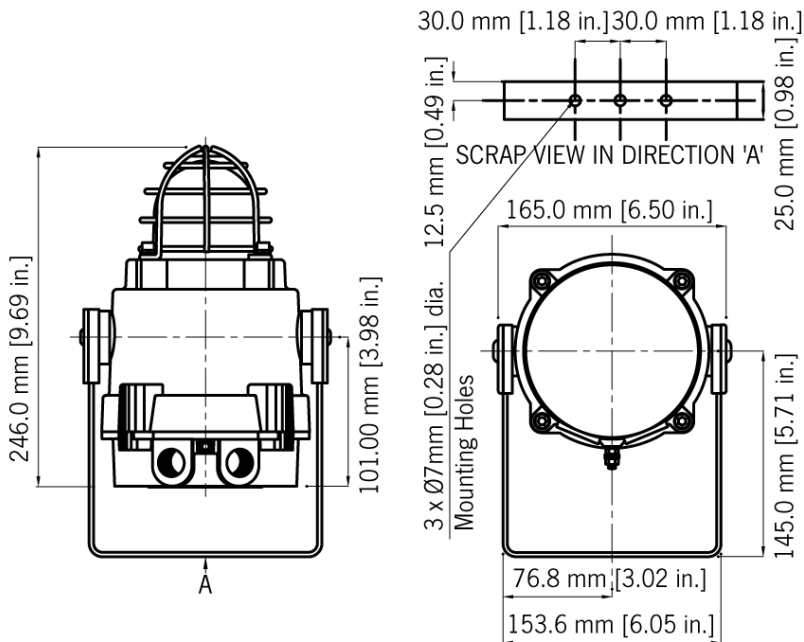
Version:	Part identifier:	Description:
Product type:	BExBG21	Explosion proof 21J Xenon Strobe Beacon
Type:	DP	Ex d, UV stable PC Colour Lens
Voltage:	DC024 DC048 AC115 AC230	24V dc 48V dc 115V ac 240V ac
Cable Entry Type: [e]:	A B C D E F G	2 x M20x1.5mm 2 x 1/2" NPT – adaptors 2 x 3/4" NPT – adaptors 2 x M25x1.5mm – adaptors 1 x 1/2" NPT – adaptor 1 x 3/4" NPT – adaptor 1 x M25x1.5mm – adaptor
Adaptor/Stopping plug material: [m]	B N S	Brass Nickel Plated Stainless Steel
Bracket/guard matl & tag: [s]	1 2 3 4	A2 304 Stainless Steel A4 316 Stainless Steel A2 304 St/St with Equip. Tag A4 316 St/St with Equip. Tag
Product version: [v]	A1	Default – IECEx, ATEX, Ex EAC & INMETRO – SIL 1
Enclosure colour: [x]	R S	Red RAL3000 Special – contact E2S
Lens colour: [y]	A B C G M R Y	Amber Blue Clear Green Magenta Red Yellow
Accessories:	SP65-0001-A2 SP65-0001-A4 SP65-0003-A2 SP65-0003-A4	Pole Mount Bracket Kit 2" St/St A2 (304) Pole Mount Bracket Kit 2" St/St A4 (316) Sunshade – St/St A2 (304) Sunshade – St/St A4 (316)

## Current Consumption

Product Version:	Voltage Range:	Current Consumption:
24V dc	20-28V dc	1.2A
48V dc	42-54V dc	600mA
115V ac	+/-10% 50Hz/60Hz	560mA
230V ac	+/-10% 50Hz/60Hz	280mA

## Flash Patterns

Pattern:	Type:	Stg 2 Remote activation (DC only)
SF	1Hz (60fpm) Both Xenon tubes flash together	AF
AF	2Hz (120fpm) Xenon tubes flash alternately	SF
DF	1Hz (60fpm) Double strike flash	SF



## Assemblies

The products from the BEx range are available as multiple unit assemblies pre-wired with and without junction boxes. See the BExP data sheet for further info or contact E2S sales.