

BExBG15 Explosion Proof Xenon Beacon 15 Joule

The flameproof BExBG15 15 Joule, 468 candela Xenon beacons are suitable for Zone 1, 2, 21 & 22 applications. Approved to IECEx, ATEX, Ex EAC and INMETRO standards. Available as SIL 1 and SIL 2 compliant.

The BExBG15 15 Joule Xenon strobe beacons robust construction enables installation in the harshest of environments. Additional features include automatic synchronisation on multi-beacon systems and stainless steel guard and mounting bracket as standard.

The explosion proof Ex d BEx range features enclosures manufactured from corrosion proof, marine grade copper free LM6 aluminium with a chromate and powder coat finish. All models have two M20 cable entries, large termination areas containing in & out terminals and an ingress protection of IP66/67.

Features

- Marine grade, corrosion proof, LM6 aluminium enclosure
- Automatic synchronisation on multi-beacon system.
- Beacons can be set to 'flip-flop' alternating mode with other units on multi-beacon systems.
- Xenon tubes mechanically secured against shock & vibration
- Glass lens & Stainless Steel guard
- Very large termination area.
- Dual M20 cable entries – adaptors available.
- Stopping plug included.
- Ratchet adjustable stainless steel 'U' bracket.
- Reverse polarity diode fitted.
- IP66/67 ingress protection.
- 468 candela effective light intensity.
- UV stable PC, field replaceable, colour lens filter.

Approvals

- IECEx KEM 10.0002X
- ATEX KEMA 00ATEX2006X
- TR-CU Ex EAC certificate: RU C-GB.AA71.B.00109
- SIL 1 and SIL 2 compliant to IEC 61508 (2010)
- INMETRO certificate: 10HEx-0010

Coding

- II 2G Ex db IIC T4 Gb Ta. -50°C to +50°C
- II 2G Ex db IIC T3 Gb Ta. -50°C to +70°C
- II 2D Ex tb IIIC T120°C Db Ta. -50°C to +40°C
- II 2D Ex tb IIIC T135°C Db Ta. -50°C to +55°C
- II 2D Ex tb IIIC T150°C Db Ta. -50°C to +70°C



Specification

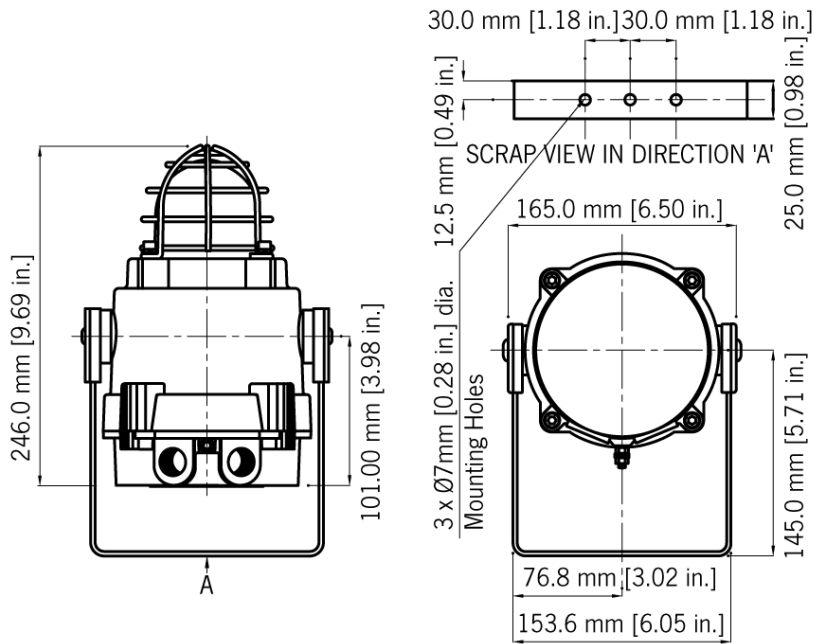
Energy:	15 Joules (15Ws)
Flash rate:	1Hz (60 fpm)
Peak Candela:	1,500,000 cd – calculated from energy (J)
Eff. Intensity cd:	750 cd – calculated from energy (J)
Peak Candela:	99,106 cd* – measured ref. to I.E.S.
Eff. Intensity cd:	468 cd* – measured ref. to I.E.S.
Lens colours:	Amber, Blue, Clear, Green, Magenta, Red & Yellow
Voltages DC:	24vdc; 48vdc
Voltages AC:	115vac; 230vac
Ingress protection:	BG15D : IP66/67 BG15E : IP66
Enclosure matl:	Marine grade copper free LM6 Aluminium
Enclosure finish:	Chromate & powder coated finish – anti-corrosion.
Colour:	RAL3000 Red (others available on request)
Cable entries:	Dual M20 ISO (one stopping plug inc)
Terminals:	0.5 – 2.5mm ² (20-14 AWG)
Enclosure volume:	<2 litres
Line monitoring:	Blocking diode included EOL Min. 500 Ohm 2w, or 3k3 Ohm 0.5w resistor or diode (DC versions) can be fitted
Grounding stud:	M5
Temperature range:	-50° to +70°C (-58°F to +158°F)
Relative humidity:	95% – Additional tropicalisation is recommended for applications where both high relative humidity and high ambient temperatures exist
Tube life:	Emissions are reduced to 70% after 5 million flashes
Weight:	DC:2.45kg/5.39lbs AC: 2.75kg/6.05lbs
*All candela data is representative of performance with clear lens at optimum voltage.	

Part Codes

Version:	Part identifier:	Description:
Product type:	BExBG15	Explosion proof 15J Xenon Strobe Beacon
Type:	DP	Ex d, UV stable PC Colour Lens
Voltage:	DC024 DC048 AC115 AC230	24V dc 48V dc 115V ac 240V ac
Cable Entry Type: [e]	A B C D E F G	2 x M20x1.5mm 2 x 1/2" NPT – adaptors 2 x 3/4" NPT – adaptors 2 x M25x1.5mm – adaptors 1 x 1/2" NPT – adaptor 1 x 3/4" NPT – adaptor 1 x M25x1.5mm – adaptor
Adaptor/Stopping plug material: [m]	B N S	Brass Nickel Plated Stainless Steel
Bracket/guard matl & tag: [s]	1 2 3 4	A2 304 Stainless Steel A4 316 Stainless Steel A2 304 St/St with Equip. Tag A4 316 St/St with Equip. Tag
Product version: [v]	A1 S1	Default – IECEx, ATEX, Ex EAC & INMETRO – SIL1 IECEx, ATEX, Ex EAC & INMETRO – SIL2: 24Vdc only
Enclosure colour: [x]	R S	Red RAL3000 Special – contact E2S
Lens colour: [y]	A B C G M R Y	Amber Blue Clear Green Magenta Red Yellow
Accessories:	SP65-0001-A2 SP65-0001-A4 SP65-0003-A2 SP65-0003-A4	Pole Mount Bracket Kit 2" St/St A2 (304) Pole Mount Bracket Kit 2" St/St A4 (316) Sunshade – St/St A2 (304) Sunshade – St/St A4 (316)

Current Consumption

Product Version:	Voltage Range:	Current Consumption:
24V dc	20-28V dc	860mA
48V dc	42-54V dc	480mA
115V ac	+/-10% 50Hz/60Hz	360mA
230V ac	+/-10% 50Hz/60Hz	170mA



Assemblies

The products from the BEx range are available as multiple unit assemblies pre-wired with and without junction boxes. See the BExP data sheet for further info or contact E2S sales.