

GNExS1-R Radial Alarm Sounder / Horn

The flameproof GNExS1-R alarm sounder with a radial horn. Suitable for Zone 1 & Zone 2 applications – certified to ATEX and IECEx. Sound level outputs up to 115dB(A) at 1 metre with a choice of 64 alarm tones and 4 remotely selectable stages.

The radial horn on the compact GNExS1-R distributes the warning signal omni-directionally. The alarm tone frequencies for the first 2 stages are independently selectable. The GNEx range features enclosures manufactured from GRP (glass reinforced polyester), moulded in natural red, but also available in other colours.

The omni-directional horn is high impact, fire retardant ABS. All models contain dual cable entries, large termination areas containing in & out terminals and an ingress protection of IP66/67. SIL1 compliant to IEC61508 (2010) as standard.

Features

- Omni-directional sound output.
- Automatic synchronisation on multi-sounder system.
- Very large termination area.
- Ratchet adjustable stainless steel 'U' bracket.
- IN & OUT terminals.
- Independently selectable tones for 1st & 2nd stages.
- Four remotely switched stages/channels.
- SIL1 compliant to IEC61508 (2010).

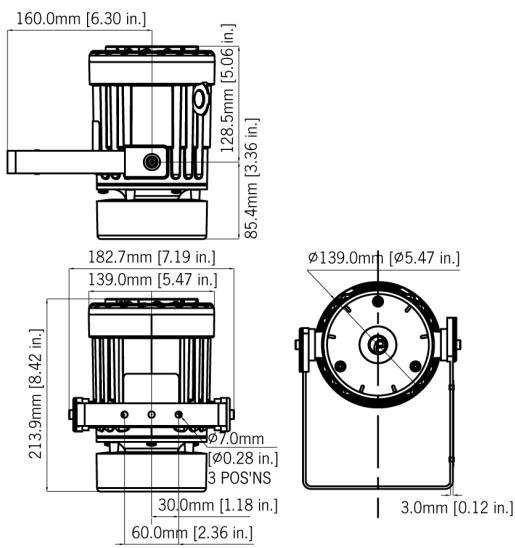
Approvals

- ATEX certificate: SIRA 13ATEX1139X
- IECEx certificate: IECEx SIR 13.0029X
- Ex EAC TR CU 012/2011 certified: KZ.1510019.22.01.00271
- INMETRO IEx 20.0050X

Coding

- II 2G Ex d IIC T4 Ta. -60° to +50°C
- II 2G Ex d IIC T3 Ta. -60° to +70°C
- II 2G Ex d IIB T6 Ta. -60° to +50°C
- II 2G Ex d IIB T5 Ta. -60° to +65°C
- II 2G Ex d IIB T4 Ta. -60° to +70°C





Specification

Maximum output:	115dB(A) @ 1 metre [106dB(A) @ 10ft/3m]
Nominal output:	110dB(A) @ 1m +/- 3dB - Tone 2 [101dB(A) @ 10ft/3m]
No. of tones:	45 (UKOOA / PFEER compliant)
No. of stages:	4
Volume control:	Max. 110dB(A); Min. 72dB(A) - Tone 44
Effective range:	100m/328ft @ 1KHz
Voltages DC:	24vdc (10-30vdc), 48vdc (38-60vdc)
Voltages AC:	230vac (100-260vac/dc)
Stage switching:	Negative or positive
Ingress protection:	IP66/67
Housing material:	GRP
Colour:	RAL3000 Red (others available on request)
Flare:	High impact UL94 V0 & 5VA FR ABS (Red)
Cable entries:	Dual M20 ISO
Terminals:	0.5 to 2.5mm ² cables.
Line monitoring :	Min. 500 Ohm 2w, or 3k3 Ohm 0.5w res. or diode within Exd enclosure (dc versions)
Relative humidity:	95% - Additional tropicalisation is recommended for applications where both high relative humidity and high ambient temperatures exist
Weight:	DC: 3.35kg/7.37lbs AC: 3.55kg/7.81lbs

Part Codes

Version:	Part code:	Description
Product type:	GNEXS1R	GNEXS1 with Radial horn
Voltage:	DC024 AC230	10-30V dc 110-240V ac/dc
Cable Entry Type:	A B C D E F G	2 x M20x1.5mm 2 x 1/2" NPT - adaptors 2 x 3/4" NPT - adaptors 2 x M25x1.5mm - adaptors 1 x 1/2" NPT - adaptor 1 x 3/4" NPT - adaptor 1 x M25x1.5mm - adaptor
Stopping plug material: [m]	B N S	Brass Nickel Plated Stainless Steel
Bracket material: [s]	1 2 3 4	A2 304 Stainless Steel A4 316 Stainless Steel A2 304 St/St with Equip. Tag A4 316 St/St with Equip. Tag
Product version: [v]	A1	Approval to ATEX & IECEx (default)
Enclosure colour: [x]	R	Red
Accessories:	SP65-0001-A2 SP65-0001-A4 SP65-0003-A2 SP65-0003-A4	Pole Mount Bracket Kit 2" St/St A2 (304) Pole Mount Bracket Kit 2" St/St A4 (316) Sunshade - St/St A2 (304) Sunshade - St/St A4 (316)

Current Consumption

Version:	Voltage:	Current:
24V dc	10-30V dc	140mA @ 24V dc
48V dc	38-60V dc	73mA @ 48V dc
115V ac/dc 50/60Hz	100-260V ac/dc	86mA @ 115Vac
230V ac/dc 50/60Hz	100-260V ac/dc	75mA @ 230Vac

Tone table

S 1 Description

T 1	1000 Continuous - PFEER Toxic Gas
T 2	1200/500 @ 1Hz Sweeping - DIN / PFEER P.T.A.P.
T 3	1000 @ 0.5Hz (1s on, 1s off) Intermittent - P...
T 4	1.4KH-1.6KHz 1s, 1.6KHz-1.4KHz 0.5s - NF C 48...
T 5	544(100mS)/440 (400mS) - NF S 32-001
T 6	1500/500 - (0.5s on , 0.5s off) x3 + 1s gap -...
T 7	500-1500Hz Sweeping 2 sec on 1 sec off - AS4428
T 8	500/1200Hz @ 0.26Hz(3.3s on, 0.5s off) - NEN ...
T 9	1000 (1s on, 1s off)x7 + (7s on, 1s off) - IM...
T 10	1000 (1s on, 1s off)x7 + (7s on, 1s off) - IM...
T 11	420(0.5s on, 0.5s off)x3 + 1s gap - ISO 8201 ...
T 12	1000(0.5s on, 0.5s off)x3 + 1s gap - ISO 8201...
T 13	422/775 - (0.85 on, 0.5 off) x3 + 1s gap - ...
T 14	1000/2000 @ 1Hz - Singapore
T 15	300 Continuous
T 16	440 Continuous
T 17	470 Continuous
T 18	500 Continuous - IMO code 2 (Low)
T 19	554 Continuous
T 20	660 Continuous
T 21	800 Continuous - IMO code 2 (High)
T 22	1200 Continuous
T 23	2000 Continuous
T 24	2400 Continuous
T 25	440 @ 0.83Hz (0.60s on, 0.60s off) Intermittent
T 26	470 @ 0.9Hz (0.55s on, 0.55s off) Intermittent
T 27	470 @ 5Hz (0.10s on, 0.10s off) Intermittent
T 28	544 @ 1.14Hz (0.43s on, 0.44s off) Intermittent
T 29	655 @ 0.875Hz (0.57s on, 0.57s off) Intermittent
T 30	660 @ 0.28Hz (1.80s on, 1.80s off) Intermittent
T 31	660 @ 3.3Hz (0.15s on, 0.15s off) Intermittent
T 32	745 @ 1Hz (0.50s on, 0.50s off) Intermittent

S 1 Description

T 33	800 (0.25s on, 1.00s off) Intermittent
T 34	800 @ 2Hz (0.25s on, 0.25s off) - IMO code 3....
T 35	1000 @ 1Hz (0.50s on, 0.50s off) Intermittent
T 36	2400 @ 1Hz (0.50s on, 0.50s off) Intermittent
T 37	2900 @ 5Hz (0.10s on, 0.10s off) Intermittent
T 38	363/518 @ 1Hz (0.50s / 0.50s) Alternating
T 39	450/500 @ 2Hz (0.25s / 0.25s) Alternating
T 40	554/440 @ 1Hz (0.50s / 0.50s) Alternating
T 41	554/440 @ 0.65Hz (0.76s / 0.76s) Alternating
T 42	561/760 @ 0.83Hz (0.60s / 0.60s) Alternating
T 43	780/600 @ 0.96Hz (0.52s / 0.52s) Alternating
T 44	800/1000 @ 2Hz (0.25s / 0.25s) Alternating
T 45	970/800 @ 2Hz (0.25s / 0.25s) Alternating
T 46	800/1000 @ 0.875Hz (0.57s / 0.57s) Alternating
T 47	2400/2900 @ 2Hz (0.25s / 0.25s) Alternating
T 48	500/1200 @ 0.3Hz (1.67s / 1.67s) Sweeping
T 49	560/1055 @ 0.18Hz (2.73s / 2.73s) Sweeping
T 50	560/1055 @ 3.3Hz (0.15s / 0.15s) Sweeping
T 51	600/1250 @ 0.125Hz (4s / 4s) Sweeping
T 52	660/1200 @ 1Hz (0.50s / 0.50s) Sweeping
T 53	800/1000 @ 1Hz (0.50s / 0.50s) Sweeping
T 54	800/1000 @ 7Hz (0.07s / 0.07s) Sweeping
T 55	800/1000 @ 50Hz (0.01s / 0.01s) Sweeping
T 56	2400/2900 @ 7Hz (0.07s / 0.07s) Sweeping
T 57	2400/2900 @ 1Hz (0.50s / 0.50s) Sweeping
T 58	2400/2900 @ 50Hz (0.01s / 0.01s) Sweeping
T 59	2500/3000 @ 2Hz (0.25s / 0.25s) Sweeping
T 60	2500/3000 @ 7.7Hz (0.65s / 0.65s) Sweeping
T 61	800Hz Motor Siren
T 62	1200Hz Motor Siren
T 63	2400Hz Motor Siren
T 64	Simulated Bell