

GNExCP7-PT Tool Reset Manual Signaling Box Call Point

The GNExCP7-PT tool reset push button Ex d explosion proof manual call points feature a robust GRP enclosure with a 316 stainless steel mechanism and IP66/67 rating – manufactured for the harshest of hazardous environments.

Globally approved to IECEx, ATEX, UL and cUL standard for all Zone 1, 2, 21 & 22 and Class I/II Div 2 installations. Can also be specified for applications requiring compliance to the UL38 standard for Manual Signaling Boxes for Fire Alarm Systems or ULC-S528 Manual Stations For Fire Alarm Systems. Available with DIN rail terminals or the innovative E2S termination board with dedicated connections for field installed EOL and/or series devices. SIL 2 compliant to IEC 61508 (2010).

Features

- Robust corrosion proof GRP enclosure
- Anti-static & UV stable
- Ingress protection IP66/67
- Single or double switch (SPCO/DPCO)
- 316 (A4) stainless steel mechanism
- Latching lift flap
- 3 x cable entries, 2 x stopping plugs included
- Captive stainless steel fasteners

Approvals

- UL/cUL certificate: 20190604-E482536, 20200224-E513632
- IECEx certificate: IECEx ULD 19.0007X
- ATEX certificate: DEMKO 19 ATEX 2101X
- PESO CCOE certified: P471512
- SIL 2 compliant to IEC 61508 (2010)
- CSFM listing: 7151-2279_0509

Coding

- NEC / CEC:
 - Class I Div 2 Group ABCD T5 Ta -55°C to +70°C *
 - Class I Div 2 Group ABCD T6 Ta -55°C to +60°C
 - Class II Div 2 Group FG T4 Ta -55°C to +60°C #
 - Class III Div 1 & 2 Ta -55°C to +60°C #
- NEC:
 - Class I Zone 1 AEx db IIC T5 Gb (Ta -55°C to +70°C) *
 - Class I Zone 1 AEx db IIC T6 Gb (Ta -55°C to +60°C)
 - Zone 21 AEx tb IIIC T135°C Db (Ta -55°C to +70°C) *
 - Zone 21 AEx tb IIIC T125°C Db (Ta -55°C to +60°C)
- CEC:
 - Class I Zone 1 Ex db IIC T5 Gb X (Ta -55°C to +70°C) *
 - Class I Zone 1 Ex db IIC T6 Gb X (Ta -55°C to +60°C)
 - Zone 21 Ex tb IIIC T135°C Db (Ta -55°C to +70°C) *
 - Zone 21 Ex tb IIIC T135°C Db (Ta -55°C to +70°C)
- IECEx & ATEX:
 - II 2G Ex db IIC T5 Gb Ta. -55 to +70°C
 - II 2G Ex db IIC T6 Gb Ta. -55 to +60°C
 - II 2D Ex tb IIIC T90°C Db Ta. -55° to +70°C

*: F1 version only
#: F1 version -70°C

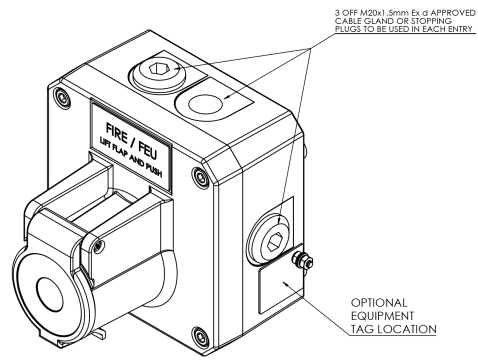


Specification

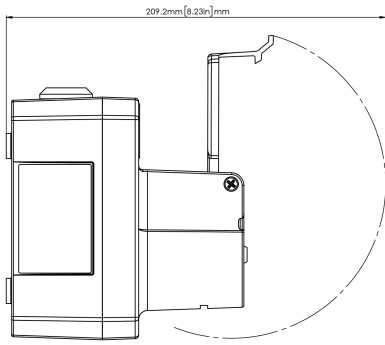
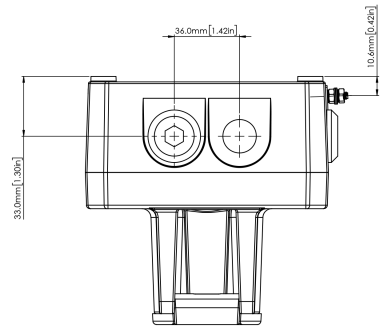
GNExCP7-PT:	Latching push button with tool reset	
Temp. Range:	-55°C to +60°C/+70°C	
Ingress protection:	EN/IEC 60529 - IP66/67	
Enclosure matl:	GRP Glass Reinforced Polyester	
Colour:	RAL3000 Red Other solid and striped colours available	
Cable entries:	2 x M20x1.5 top and 1 x M20x1.5 side. Back box can be rotated to give 2 x bottom and 1 x side entries Cable entries adaptable to 1/2"NPT, 3/4"NPT & M25	
Stopping plugs:	2 x Stopping plugs as standard Brass, Nickel plated or Stainless Steel	
Terminals:	DIN rail 8 × 2.5mm ² SAK2.5 or Termination board featuring 6 × 2.5mm ² terminals plus 4 x dedicated EOL & Series terminals	
Earth:	External M5 earth connection	
Relative Humidity:	R.H. 95% @ 20°C	
Weight:	2.1Kg/4.63lbs	
Voltage Range:	Max input Current:	Limitations for EOL / Series Resistors:
250Vac Max	3.33A max	not permitted
48Vdc Max	1.0A max	min. 2.2kOhm
24Vdc Max	3.0A max	min. 470 Ohm
EOL and Series Diode Values:		
xxx:	Zener Value	Max. current supply permitted
3V3	3.3V Diode	230mA
4V7	4.7V Diode	162mA
5V1	5.1V Diode	149mA
5V6	5.6V Diode	136mA
6V2	6.2V Diode	122mA
6V8	6.8V Diode	112mA
10V	10V Diode	76mA
12V	12V Diode	63mA

Part Codes

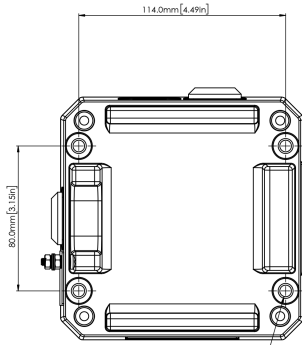
Version:	Part reference:	Description:
Product type:	GNExCP7PT	Latching push button with tool reset
Switch Type: [s]	S D	SPCO/SPDT DPCO/DPDT
Terminals: [t]	D P	DIN Rail 8 × SAK2.5 Termination board: 6 × 2.5mm ² terminals plus 4 × EOL & Series terminals
Lift flap: [l]	L	Lift flap supplied as standard
Cable Entry Type: [e]	A B C D E F G	3 x M20x1.5mm 2 × 1/2" NPT - adaptors 2 × 3/4" NPT - adaptors 2 x M25x1.5mm - adaptors 1 × 1/2" NPT - adaptor 1 × 3/4" NPT - adaptor 1 x M25x1.5mm - adaptor
Stopping plug material: [m]	B P S	Brass Nickel Plated Brass Stainless Steel
Duty label / Equipment tag: [d]:	1 2 3 4 5 6 7	No Duty label, no Equip. tag Duty label Stainless Steel Duty label St/St + Equip. tag Duty label Metalised Polyester Duty label M. Poly. + Equip. tag Equip. tag only Special label requirement
Product version: [v]	A1 F1	UL, cUL, IECEx, ATEX & PESO approved UL, cUL, ULC, IECEx, ATEX & PESO approved - UL38 & ULC-S528
Enclosure colour: [x]	R B N Y V S K M Z	Red Blue Green Yellow Red/White Yellow/Black Black Magenta Red/Black
Default variable: [u]	N	Default = N - not currently used
E.O.L.Module: [e] optional	ExxxR ED1 ExxxZ	Resistor value in Ohms e.g. E470R = 470 Ohm Diode IN4007 = ED1 Zener diode e.g. E5V1Z = 5.1V
Series Module: [s] optional	SxxxR SD1 SxxxZ	Resistor value in Ohms e.g. S1K5R = 1.5K Ohm Diode IN4007 = SD1 Zener diode e.g. S5V1Z = 5.1V
Note:	F1 version only available with Duty label option 2 or 3. Mandatory duty label: "FIRE/FEU" F1 version only available with Red enclosure	
Spares:		
SP70-0074	Spare GNExCP7-PT Reset Key	
Accessories:		
SP65-0001-A2	Pole Mount Bracket Kit 2" St/St A2 (304)	
SP65-0001-A4	Pole Mount Bracket Kit 2" St/St A4 (316)	
SP65-0002-A2	Sunshade - St/St A2 (304)	
SP65-0002-A4	Sunshade - St/St A4 (316)	



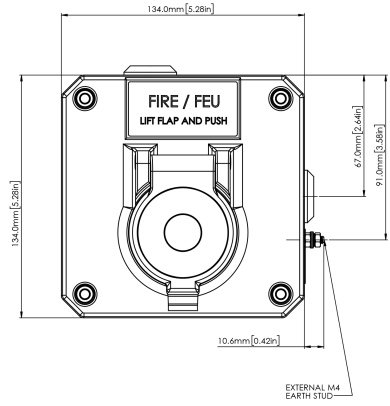
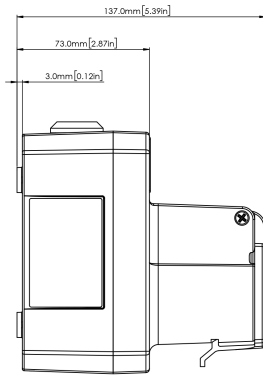
ISO VIEW SHOWN WITH FLIP LID CLOSED



SIDE VIEW SHOWN WITH FLIP LID OPEN



Ø 6.4mm [0.25in]
MOUNTING HOLES 4 OFF



EXTERNAL M4 EARTH STUD