

STExCP8-PT/M Tool Reset/Momentary Call Point

The flameproof STExCP8-PT latching push button with tool reset and STExCP8-PM momentary push button manual call points, featuring a 316L stainless steel enclosure, is designed for the harshest of environments.

Approved for Zone 1 and 2 hazardous areas for fire and gas alarm systems, ESD and process control. Available with standard DIN rail terminals or the innovative E2S termination board providing dedicated connections for field installed EOL and/or series devices. SIL 2 compliant to IEC 61508 (2010). DNV type approved for exposed locations.

Features

- Robust corrosion proof 316L stainless steel enclosure
- Epoxy powder coat paint finish
- Alternative housing colours are available to meet specific requirements
- Ingress protection IP66
- Single or double switch
- Optional equipment tags and duty labels
- Latching lift flap
- 2 x 316 Stainless steel stopping plugs included
- 3 x M20 cable entries
- Stainless steel fasteners
- DNV type approved IEC 60945 & DNVGL-CG-0339

Approvals

- IECEx certificate: IECEx ULD 15.0018X
- ATEX certificate: DEMKO 15 ATEX 1589X
- TR-CU Ex EAC certificate: RU C-GB.AA71.B.00109
- PESO CCOE certified: P471509
- INMETRO IEx 20.0051X
- SIL 2 compliant to IEC 61508 (2010)

Coding

- Ex db IIC T6 Gb Ta. -55°C to +70°C (Single switch)
- Ex db IIC T5 Gb Ta. -55°C to +70°C (Dual switch)
- Ex db IIC T6 Gb Ta. -55°C to +60°C (Dual switch)



Specification

STExCP8-PT, STExCP8-PM: Version: Tool Reset / Momentary

Coding: Ex db IIC T6 Gb Ta. -55°C to +70°C (Single switch)
Ex db IIC T5 Gb Ta. -55°C to +70°C (Dual switch)
Ex db IIC T6 Gb Ta. -55°C to +60°C (Dual switch)

Ingress protection: EN/IEC 60529 - IP66

Enclosure matl: 316L Stainless Steel

Colour: RAL3000 Red (others available on request)

Cable entries: 2 x M20x1.5 top and
1 x M20x1.5 side.
Back box can be rotated to give
2 x bottom and 1 x side entries

Stopping plugs: 2 x 316 Stainless Steel plugs as standard
Brass and Nickel plated plugs optional

Terminals: DIN rail 8 x 2.5mm² SAK2.5 or
Termination board featuring 6 x 2.5mm² terminals plus 4 x
dedicated EOL & Series terminals

Earth: External M5 earth connection

Relative Humidity: R.H. 95% @ 20°C

Weight: 4.6Kg/10.14lbs

Voltage Range: Max input Current: Limitations for EOL / Series Resistors:

250Vac Max 5.0A max not permitted

48Vdc Max 1.0A max min. 2.2kOhm

24Vdc Max 3.0A max min. 470 Ohm

EOL and Series Diode Values:

xxx: Zener Value Max. current supply permitted

3V3 3.3V Diode 230mA

4V7 4.7V Diode 162mA

5V1 5.1V Diode 149mA

5V6 5.6V Diode 136mA

6V2 6.2V Diode 122mA

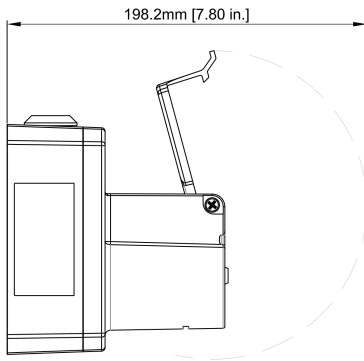
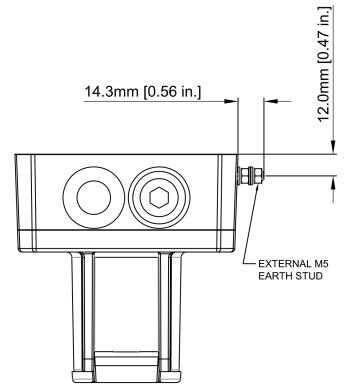
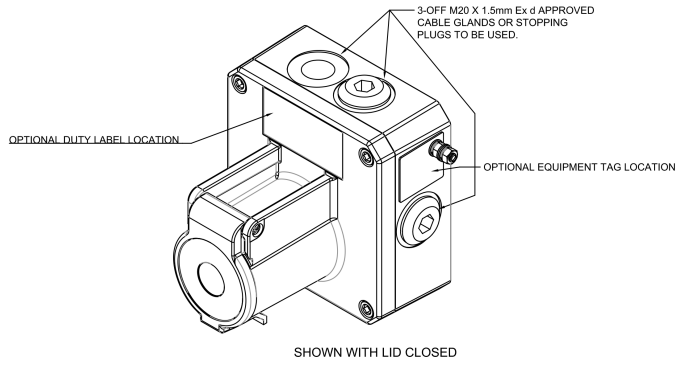
6V8 6.8V Diode 112mA

10V 10V Diode 76mA

12V 12V Diode 63mA

Part Codes

Version:	Part reference:	Description:
Product type:	STExCP8PT STExCP8PM	Latching push button with tool reset Momentary push button
Switch Type: [s]	S D	SPCO/SPDT DPCO/DPDT
Terminals: [t]	D P	DIN Rail 8 x SAK2.5 Termination board: 6 x 2.5mm ² terminals plus 4 x EOL & Series terminals
Lift flap: [l]	L	Lift flap supplied as standard
Cable Entry Type: [e]	A B C D E F G	3 x M20x1.5mm 2 x 1/2" NPT - adaptors 2 x 3/4" NPT - adaptors 2 x M25x1.5mm - adaptors 1 x 1/2" NPT - adaptor 1 x 3/4" NPT - adaptor 1 x M25x1.5mm - adaptor
Stopping plug material: [m]	S	Stainless Steel
Duty label / Equipment tag: [d]:	1 2 3 4 5 6 7	No Duty label, no Equip. tag Duty label Stainless Steel Duty label St/St + Equip. tag Duty label Metalised Polyester Duty label M. Poly. + Equip. tag Equip. tag only Special label requirement
Product version: [v]	A1	IECEX, ATEX, Ex EAC, PESO & DNV approved
Enclosure colour: [x]	R B N Y V S K M Z	Red Blue Green Yellow Red/White Yellow/Black Black Magenta Red/Black
Default variable: [u]	N	Default = N - not currently used
E.O.L.Module: [e] optional	ExxxR ED1 ExxxZ	Resistor value in Ohms e.g. E470R = 470 Ohm Diode IN4007 = ED1 Zener diode e.g. E5V1Z = 5.1V
Series Module: [s] optional	SxxxR SD1 SxxxZ	Resistor value in Ohms e.g. S1K5R = 1.5K Ohm Diode IN4007 = SD1 Zener diode e.g. S5V1Z = 5.1V
Spares:	SP70-0074	Spare STExCP8-PT Reset Key
Accessories:	SP65-0001-A2 SP65-0001-A4 SP65-0002-A2 SP65-0002-A4	Pole Mount Bracket Kit 2" St/St A2 (304) Pole Mount Bracket Kit 2" St/St A4 (316) Sunshade - St/St A2 (304) Sunshade - St/St A4 (316)



SHOWN WITH LID OPEN

