

BExCBGL2-05 LED & Xenon Dual Beacon

The flameproof BExCBGL2-05 dual LED and Xenon beacons are suitable for Zone 1, 2, 21 & 22 applications. Approved to IECEx and ATEX standards.

The BExCBGL2-05D dual LED & 5 Joule Xenon beacons robust construction enables installation in the harshest of environments. The beacons may be connected from a single supply for simultaneous operation or from separate supplies for independent operation.

The BEx range features enclosures manufactured from corrosion proof, marine grade copper free LM6 aluminium with a chromate and powder coat finish. All models have two M20 cable entries, large termination areas containing in & out terminals and an ingress protection of IP66/67.

Features

- Marine grade, corrosion proof, LM6 aluminium enclosure
- Automatic synchronisation on multi-beacon system.
- Glass lens & Stainless Steel guard
- Very large termination area.
- Dual M20 cable entries – adaptors available.
- Stopping plug included.
- Ratchet adjustable stainless steel 'U' bracket.
- Reverse polarity diode fitted.
- IP66/67 ingress protection.
- 120+160 candela effective light intensity.
- UV stable PC, field replaceable, colour lens filters.
- LED modes:
 - 1Hz flash (60 fpm)
 - 1.5Hz flash (90 fpm)
 - 2Hz flash (120 fpm)
 - Double strike flash
 - Triple strike flash
 - High Power Steady
 - Low Power Steady

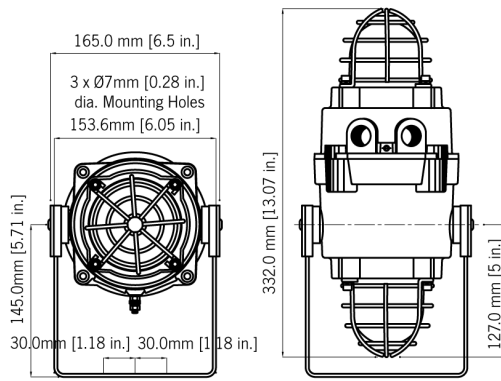
Approvals

- IECEx KEM 10.0024X
- ATEX KEMA 01ATEX2222X
- TR-CU Ex EAC certificate: RU C-GB.AA71.B.00109
- INMETRO certificate: IEx 19.0092X

Coding

- II 2G Ex db IIB T5 Gb Ta. -50°C to +40°C
- II 2G Ex db IIB T4 Gb Ta. -50°C to +70°C
- II 2D Ex tb IIIC T95°C Db Ta. -50°C to +40°C
- II 2D Ex tb IIIC T110°C Db Ta. -50°C to +55°C
- II 2D Ex tb IIIC T125°C Db Ta. -50°C to +70°C





Specification

Xenon Beacon:	
Energy:	5 Joules (5Ws)
Flash rate:	1Hz (60 fpm)
Peak Candela:	39,463 cd - 1Hz flash
Eff. Intensity cd:	120 cd - 1Hz flash
LED Beacon:	
Source:	Array of 4 x High Power Cree® LED's
Eff. Intensity cd:	87 cd - High Power Steady
Eff. Intensity cd:	160 cd - 1Hz flash
Lens colours:	Amber, Blue, Clear, Green, Magenta, Red & Yellow
Voltages DC:	24vdc
Voltages AC:	115vac; 230vac
Ingress protection:	IP66/67
Enclosure matl:	Marine grade copper free LM6 Aluminium
Enclosure finish:	Chromate & powder coated finish - anti-corrosion.
Colour:	RAL3000 Red (others available on request)
Cable entries:	Dual M20 ISO (one stopping plug inc)
Terminals:	0.5 - 2.5mm ² (20-14 AWG)
Enclosure volume:	<2 litres
Line monitoring:	Blocking diode included EOL Min. 500 Ohm 2w, or 3k3 Ohm 0.5w resistor or diode (DC versions) can be fitted
Grounding stud:	M5
Temperature range:	-50° to +70°C (-58°F to +158°F)
Relative humidity:	95% - Additional tropicalisation is recommended for applications where both high relative humidity and high ambient temperatures exist
Tube life:	Emissions are reduced to 70% after 8 million flashes
LED life:	60,000 hours
Weight:	DC: 4.00kg/8.8lbs AC: 4.35kg/9.57lbs
*All candela data is representative of performance with clear lens at optimum voltage.	

E2S Warning Signals sales@e2s.com www.e2s.com

No liability is accepted for any consequence of the use of this document. The technical specification of this unit is subject to change without notice due to the policy of continual product development. All dimensions are approximate. This unit is sold subject to our standard conditions of sale, a copy of which is available on request.

Part Codes

Version:	Part code:		
Product type:	BExCBGL205	Explosion proof Dual LED & 5J Xenon Beacon	
Type:	DP	Ex d, UV stable PC Colour Lenses	
Voltage:	DC024	24V dc	
	AC115	115V ac	
	AC230	240V ac	
Cable Entry Type: [e]	A	2 x M20x1.5mm	
	B	2 x 1/2" NPT - adaptors	
	C	2 x 3/4" NPT - adaptors	
	D	2 x M25x1.5mm - adaptors	
	E	1 x 1/2" NPT - adaptor	
	F	1 x 3/4" NPT - adaptor	
	G	1 x M25x1.5mm - adaptor	
Adaptor/Stopping plug material: [m]	B	Brass	
	N	Nickel Plated	
	S	Stainless Steel	
Bracket/guard matl & tag: [s]	1	A2 304 Stainless Steel	
	2	A4 316 Stainless Steel	
	3	A2 304 St/St with Equip. Tag	
	4	A4 316 St/St with Equip. Tag	
Product version: [v]	A1	Default - IECEx, ATEX	
Enclosure colour: [x]	R	Red RAL3000	
	S	Special - contact E2S	
LED lens colour: [y]	A	Amber	A Amber
	B	Blue	B Blue
Xenon lens colour: [y]	C	Clear	C Clear
	G	Green	G Green
	M	Magenta	MMagenta
	R	Red	R Red
	Y	Yellow	Y Yellow

Current Consumption

Version:	Voltage:	Steady High Power:	Steady Low Power:	Flashing 1Hz:
LED: 24V dc	18-54V dc	240mA	134mA	110mA
LED: 115V ac	103.5-126.5V ac 50/60Hz	95mA	78mA	90mA
LED: 230V ac	207-253V ac 50/60Hz	48mA	37mA	45mA
Xenon: 24V dc	20-28V dc			300mA
Xenon: 115V ac	50Hz/60Hz +/- 10%			140mA
Xenon: 230V ac	50Hz/60Hz +/- 10%			55mA

5 Feb 2021