

IS-L101L LED Beacon

The IS-L101L unit is an intrinsically safe field mounting beacon which provides a bright flashing warning signal.

The unit can be used independently or combined with an IS-A105N 49 alarm sounder. Combination units can utilise a common zener barrier or galvanic isolator and may be coupled together or mounted separately.

With the IS-A105N the alarm accept function can be utilised. By closing a pair of external contacts (i.e push switch) the operator may silence the alarm for set periods between 5 seconds and 2 hours. If after the preset time the alarm condition still exists the sounder will activate again.

Features

- Input overload and reverse current protection
- Prismatic lens optimises L.E.D effectiveness

Approvals

- ATEX certificate: SIRA 04ATEX2302X
- IECEx certificate: IECEx SIR 04.0039X
- FM approved
- GOST-R certificate: POCC GB.JB05.B03365

Coding

ATEX / IECEx / FM:

II 1G Ex ia IIC T4 Ga (-40°C ≤ Ta ≤ +60°C)

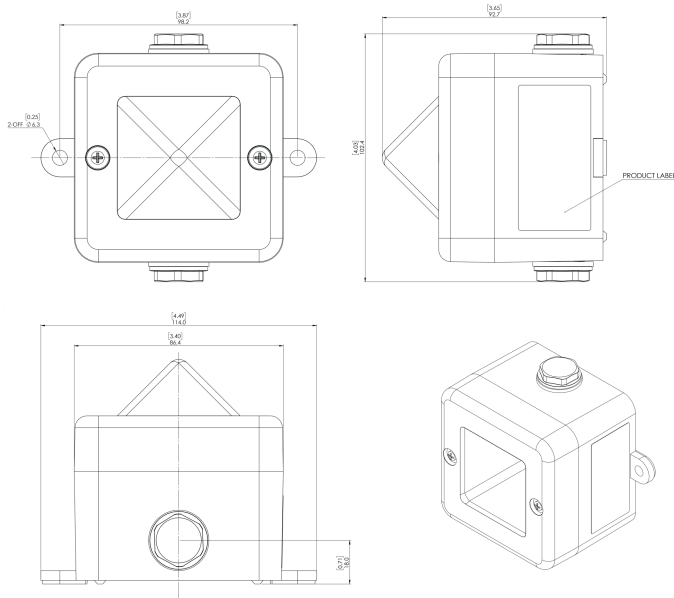
IS Class I, Zone 0, AEx ia IIC T4 Ta= +60°C

IS Class I, Division 1, Groups A, B, C, D T4

Ex EAC:

0ExialICT4 IP65 -40° to +60°C





Specification

Light source:	Array of 6 high intensity L.E.D's.
L.E.D. colours:	Red, Amber, Blue, Green & White Note: Blue, Green & White LED versions utilise a Clear lens
Standalone mode:	2Hz (2 double flashes per second)
Effective intensity cd:	48cd* - measured ref. to I.E.S.
With ISA105N:	On: 1 Hz (1 double flash per second) Silenced: 2 Hz (2 double flashes per second - alarm accepted)
Voltage:	16-28vdc via Zener barrier or galvanic isolator
Current:	Stand alone: 25mA typical With ISA105N: 35mA typical
Ingress protection:	IP66
Rating:	Continuous
Enclosure material:	UL94V0 & 5VA FR ABS & PC
Enclosure colour:	RAL3000 Red or Grey RAL7038
Fixings:	Stainless Steel
Cable entries:	2 x M20 clearance supplied with stopping plugs
Terminals:	0.5 to 2.5mm ²
Operating temp:	-40° to +60°C [-40 to +140°F]
Storage temp:	-40° to +70°C [-40 to +158°F]
Relative humidity:	95% at 20°C [68°F]
Weight:	0.40Kg/0.88lbs

Part Codes

ISL101L-[x]/[y]

[x]: Enclosure colour:	Red RAL3000 Grey RAL7038
[y]: LED colour:	A: Amber (Amber lens) B: Blue (Clear lens) G: Green (Clear lens) R: Red (Red lens) C: White (Clear lens)

May be powered from any certified Zener barrier or galvanic isolator whose output parameters do not exceed:

U_o : 28VDC I_o : 660mA P_o : 1.2W