



Gas Sample Probe Series SP®

Versions SP2200-H/C/I/BB and SP2200-H/C/I/BB/F electrically heated

SP2200-H/C/I/BB/F

Special Features

- Heated gas sample probe with integrated valve functions for:
 - Injecting calibration gas
 - Shutting off the probe outlet
 - Blowback function

Description

The M&C probe series SP2000-H was extended by the versions SP2200-H/C/I/BB and SP2200-H/C/I/BB/F.

The following options are included:	SP2200-H...
Calibration gas connection	Tube connector 6 mm o.d.
Blowback gas connection	Tube connector 8 mm o.d.
Calibration gas injection valve	/C
Isolation valve	/I
Valve for blowback of the filter housing area	/BB
Valve for blowback of the integrated ceramic filter	/BB/F

- The calibration gas can be directly injected to the probe outlet via the check valve /C. This allows calibration gas to be supplied without gas loss via the otherwise open probe inlet.
- An isolation valve /I shuts off the sample outlet from the heated filter chamber.
- With a high-flow rate check valve /BB, which protrudes into the heated filter chamber, blowback of the filter chamber, the sample tube and the pre-filter is carried out.
- With a high-flow rate check valve /BB/F, which is fixed to the heated filter chamber wall, blowback of the integrated ceramic filter including the filter chamber, the sample tube and the pre-filter is carried out.

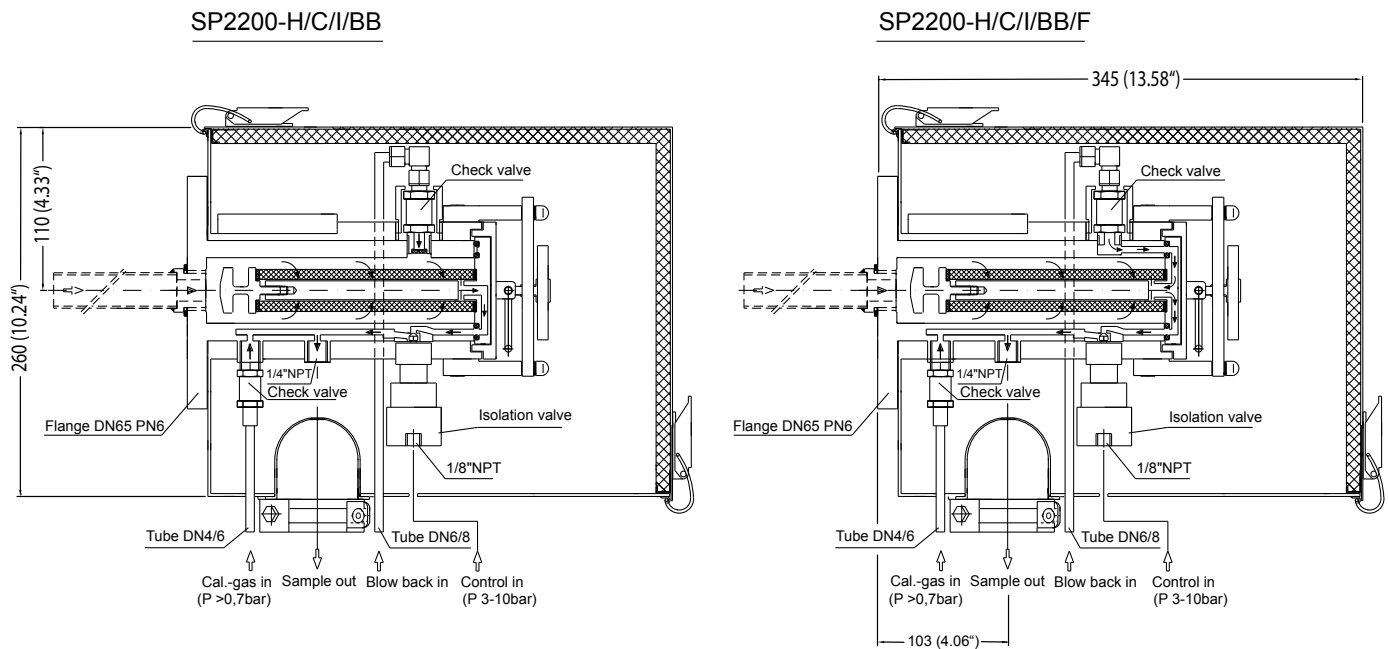
To prevent the probe from cooling down, the gas used for blowback should be injected in short pulses.

	SP2200-H/C/I/BB	SP2200-H/C/I/BB/F
Part Number	20S2010	20S2015
Operating temperature	Max. 180 °C [356 °F]	
Power supply	230 V/50 Hz, 800 W, optional 115 V/60 Hz	
Calibration gas valve /C	Check valve, valve opening pressure: > 0.7 bar gauge, ø 6 mm tube connector	
Isolation valve /I	Bellow valve with pneumatic actuator, control pressure: 3 to 10 bar gauge, connection: 1/8" NPT i	
Blowback valves /BB+/BB/F	High flow-rate check valve, valve opening pressure: > 0.7 bar gauge, recommended: 3 to 6 bar gauge To prevent the probe from cooling down, the blowback gas should be injected in short pulses. Connection: tube connector 8 mm o.d.	
Flange	Material: stainless steel 316Ti, dimensions: DN 65 PN 6 B	

For further technical information, see data sheet of standard gas sample probe SP2000-H

Dimensions

Gas Sample Probe Series SP® with Calibration Gas Injection, Isolation Valve and Blowback



Dimensions in mm (inch)